



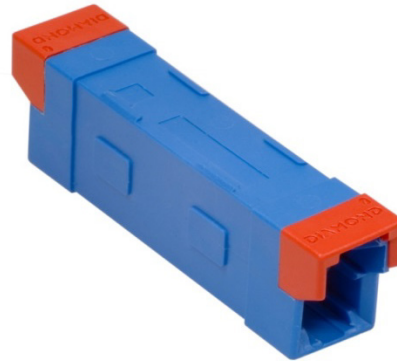
E-2000™ mating adapters Generations & EtO-IP65 version



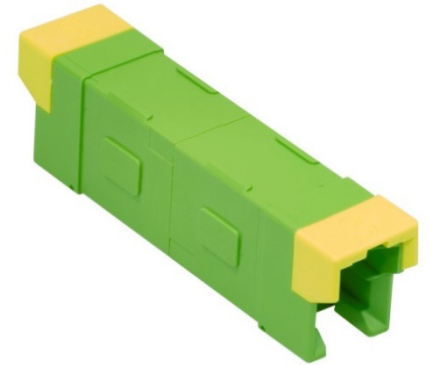
The versions



First generation

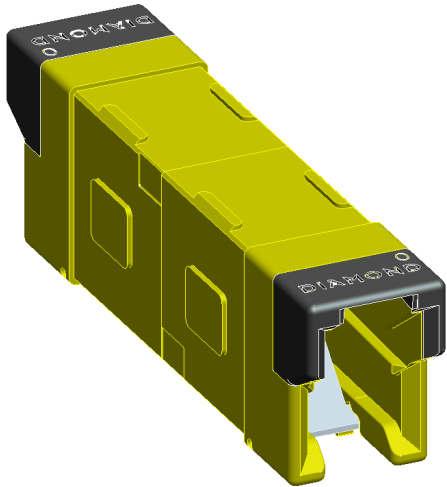


*Second generation
(Present)*



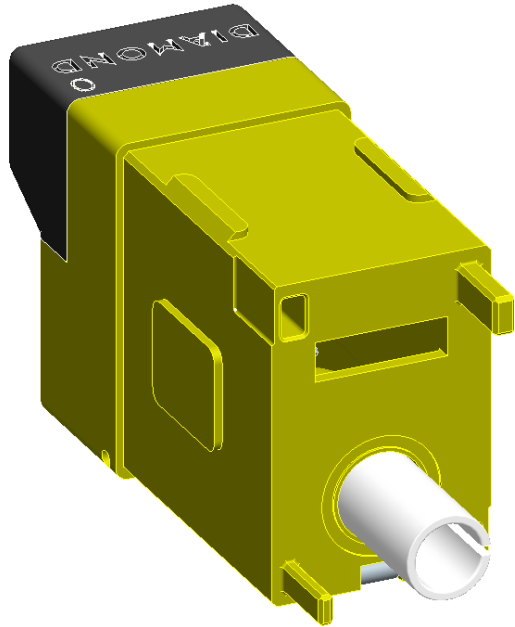
New generation

NEW generation



- Simplified, modular construction; ultrasonically-welded symmetrical halves
 - ➔ Allows for a sealed part for optional IP65 protection
- Same dimensions as previous version
 - ➔ Compatible with earlier mounting flange clips
- Color-coded, “passe- partout” frame
 - ➔ Greater flexibility; allows connection with all mechanically-keyed thumb-latches
- Spring-loaded shutters hinged from bottom
 - ➔ No contact between connector protection cap and shutter
- Cutout for E-2000™ LED connectors
- Audible “click!” upon connector insertion

New material



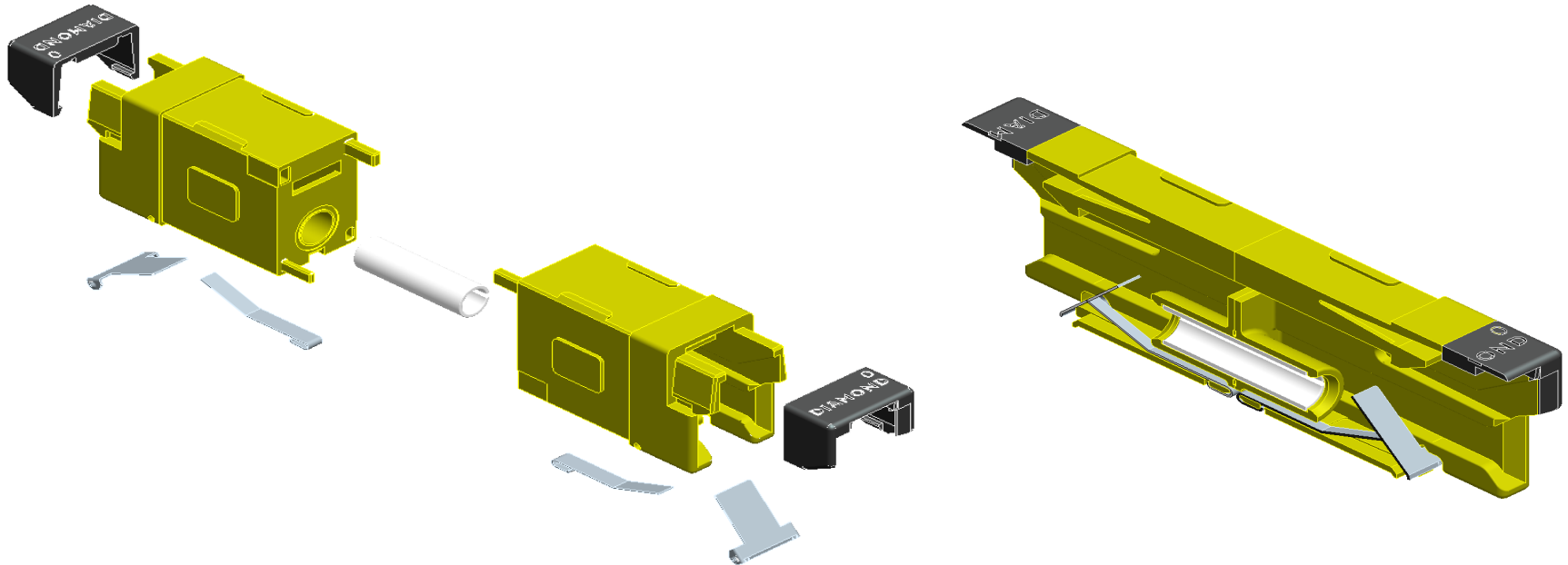
■ Material: PEI

- Exceptional mechanical and dimensional stability
- UL94 V0 flammability rating
- RoHS-compliant

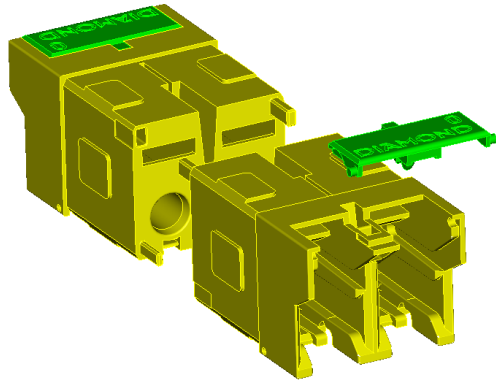


Construction of the simplex version

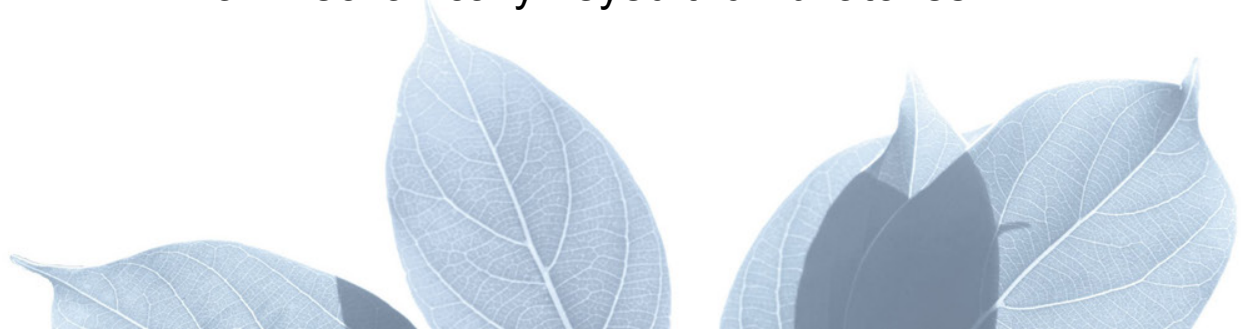
Single components

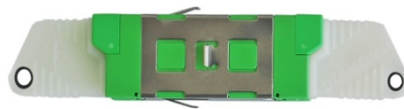


Construction of the duplex-compact version



- Same features as the simplex version
- Same dimensions as the present version
- Color-coded free frame as standard
 - ➔ Greater flexibility; allows connection with all mechanically-keyed thumb-latches





E-2000™ connection EtO-sterilizable
with optional **IP65** protection

Based on new
generation E-2000™
mating adapter



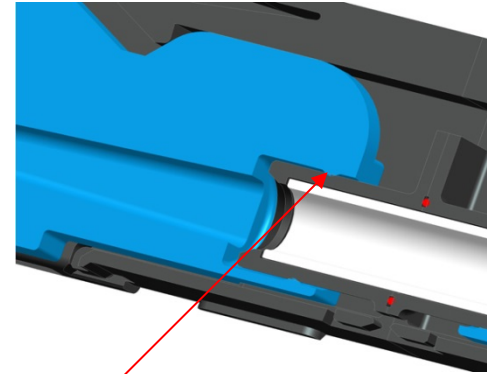
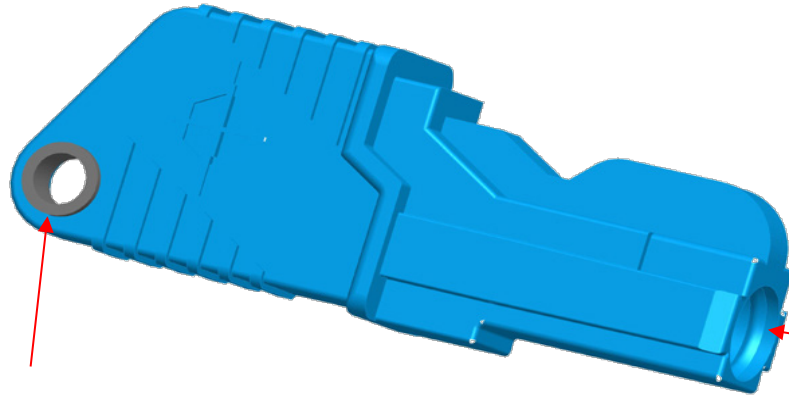
Applications



Designed to meet today's requirements for safety, reliability and quality in biomedical, energy, FTTx, telecom markets, etc., as well as in applications subject to special environmental conditions.



Protection cap



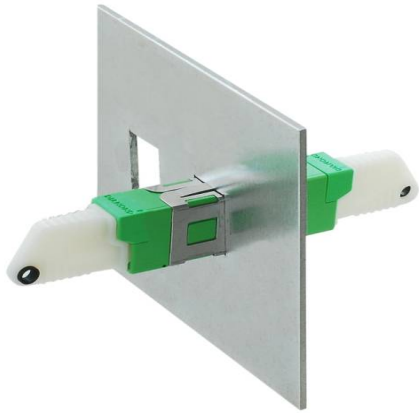
Sealed area on the sleeve holder

- Special rubber protection cap with integrated O-ring that can easily be slid onto the ferrule.
- ➔ Protection cap is designed to be used as a tool to mount the O-ring on the ferrule, thereby preventing contamination

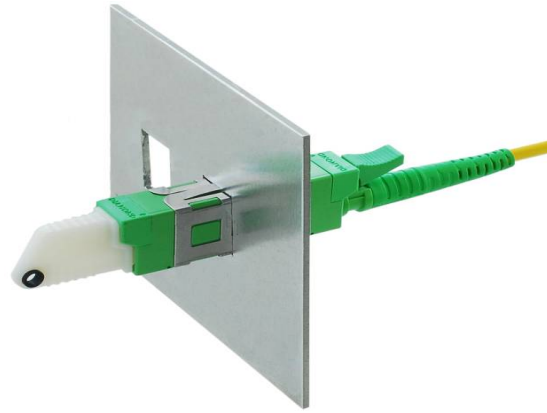


Service Adapter
Part Nr. 1019034

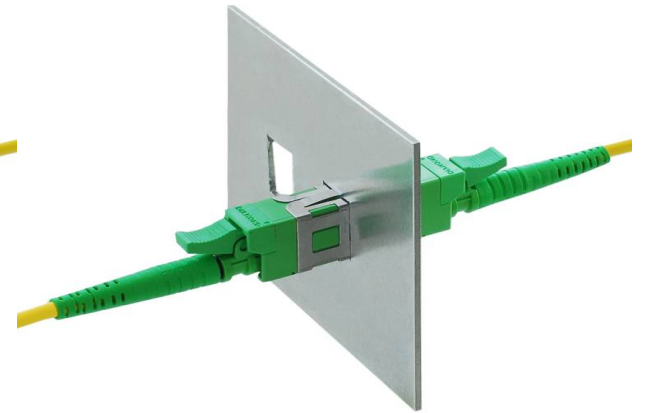
IP65-rated connection ensured...



...in unmated condition



...when only one connector is mated



...when fully mated



Available versions, compatibility and documents

IP65 (MM, SM PC/APC), PS, PM, LAN, C&C

EtO-sterilizable and **IP65** (MM, SM PC/APC), PS, PM, LAN, C&C

Note: Use of new generation mating adapters required for IP65-rated connection.

■ Further available information upon request

→ E-2000™ standard datasheet and part numbers

→ E-2000™ IP65 Qualification Test Report (QTR)

→ E-2000™ EtO-sterilization proof with IP65 protection (Test Report)

→ E-2000™ IP65 Assembly Instruction

Sterilization conditions

- E-2000™ EtO/IP65 connections have been subjected to 5 EtO (ethylene oxide) sterilization cycles according to the parameters and conditions detailed below:
 - No negative results in the optical or mechanical performances of the examined products were observed.

1. Preconditioning:

- a. Temperature: 35 - 45°C
- b. Humidity: 45 - 75% RH
- c. Duration: 16 - 72 hours

3. Aeration:

- a. Temperature: 35 - 45°C
- b. Duration: minimum 12 hours

2. Sterilization Cycle (Deep Vacuum Cycle):

- a. Temperature: 45°C (Setpoint)
- b. Gas Dwell Phase: 5 hours
- c. EtO concentration: approx. 715 mg/L
- d. 2 Nitrogen Washes
- e. 2 Air Washes